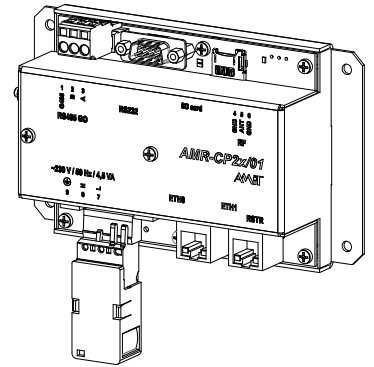


AMR-CP20/01

Communication unit

- 2 × Ethernet 10/100 Mbps (switch)
- 1 × RS485 with GS
- 1 × RS232
- Slot for micro SD card
- Power supply 230 V AC



TECHNICAL DATA

Processor	STM32F407
Memory FLASH / RAM / EEPROM	(1024 + 4096) KB / 192 KB / 32 KB
Backed-up RAM memory	4 KB
RAM + RTC back-up	Rechargeable battery Panasonic VL1220
Slot for memory card	Micro SD
Ethernet interface	
Number of connectors	2 *)
Galvanic separation	Yes
Galvanic separation strength	500 V AC / 1 min.**)
Connection point	RJ45 connector, according to IEEE802.3
RS485 interface	
Number of lines	1
Galvanic separation	Yes
Galvanic separation strength	500 V AC / 1 min.**)
Connection point	WAGO 231-333/001-000
RS232 interface	
Number of lines	1
Galvanic separation	No
Connection point	D-sub DE-9 connector
Power supply	230 V AC ±10 %
Max. consumption	20 mA at 230 V AC
Connection point	WAGO 231-933/001-000
Others	
Ingress protection rate	IP20
Operating temperature range	0 °C to 50 °C
Maximum ambient humidity	< 95 % non-condensing
Mounting	On the base plate
Weight	610 g
Dimensions (w × h × d)	(157 × 96 × 45) mm
Programming	DetStudio / EsiDet

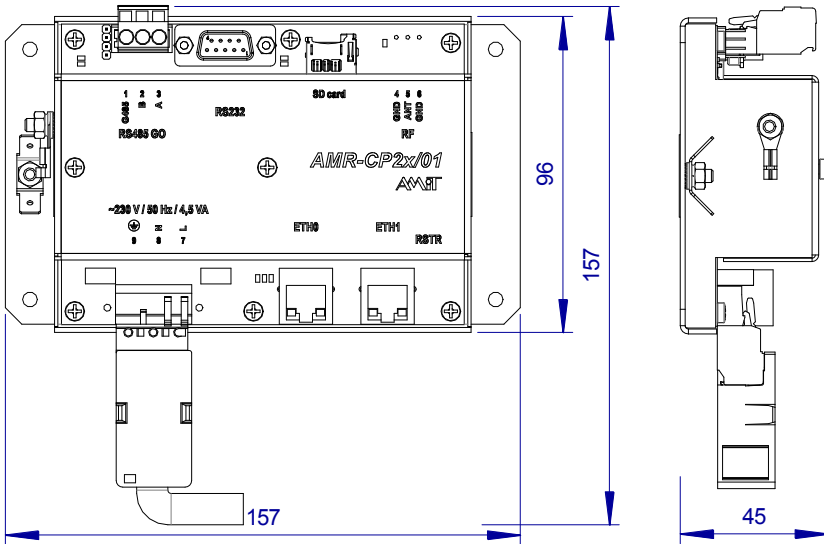
*) One IP address can be configured on the device. Interfaces works as a switch.

***) Galvanic separation must not be used for dangerous voltage separation.

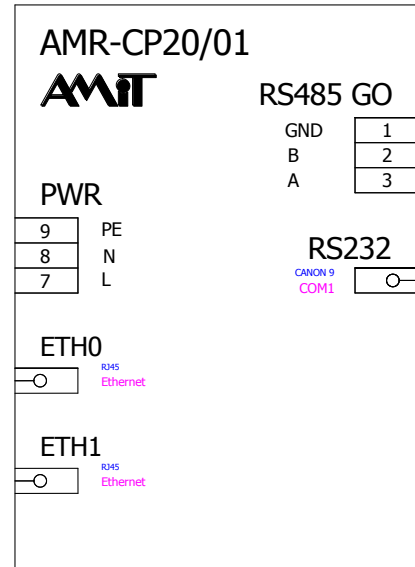
ORDERING INFORMATION

AMR-CP20/01	Communication unit, 2 × Ethernet, switch, RS485, RS232, SD, Webserver, operation manual
-------------	---

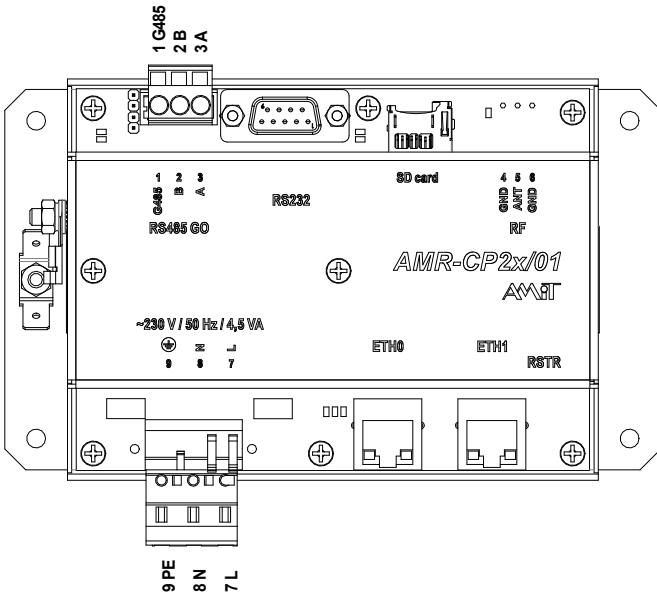
MECHANICAL DIMENSIONS



DRAWING SYMBOL



TERMINAL LAYOUT



TERMINAL LABELS

Terminal	Label	Meaning
1	G485	RS485 with GS, ground
2	B	RS485 with GS, signal B
3	A	RS485 with GS, signal A
7	L	Power supply 230 V AC, phase conductor
8	N	Power supply 230 V AC, neutral conductor
9	PE	Protective conductor