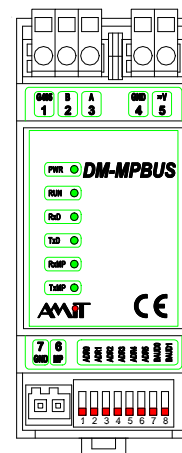


DM-MPBUS

MP-Bus converter with ARION protocol

- RS485 line with ARION protocol
- MP-Bus line master
- Power supply and state indication by LED
- 35 mm DIN rail mounting
- Power supply 24 V DC/AC



TECHNICAL DATA

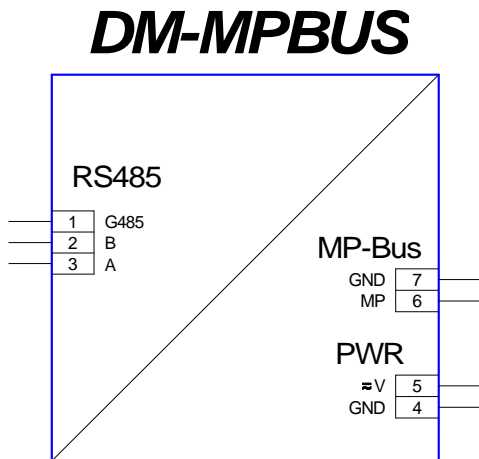
RS485 line transmission rate	9600 to 57600 Bd
RS485 interface galvanic insulation	Yes *)
RS485 interface overvoltage protection	Transil 600 W
RS485 communication protocol	ARION
Max. number of modules on RS485 line	63
Max. number of modules on RS485 segment	31
MP-Bus transmission rate	1200 Bd
MP-Bus interface galvanic insulation	No
Max. number of devices on MP-Bus line	8
Power supply	20 to 35 V DC 18 to 30 V AC
Max. power consumption	100 mA at 24 V DC
Power supply overvoltage protection	Yes (600 W suppressor diodes)
Cover protection rate	IP20
Mounting	35 mm DIN rail
Operating temperature	-40 to 70 °C
Max. ambient humidity	95% non-condensing
Dimensions (w x h x d)	36 x 91 x 73 mm
Weight	100 g

*) Insulation strength 300 V AC / 1 minute, galvanic insulation may not be used for safe and unsafe parts separation.

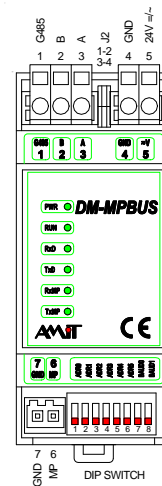
ORDERING INFORMATION

DM-MPBUS	ARION <-> MP-Bus converter, data sheet, warranty card
TRF03	Power supply transformer 18 V AC

RECOMMENDED DIAGRAM SYMBOL



TERMINAL LOCATION



LED ASSIGNMENT

LED	Assignment
PWR	Converter is power supplied
RUN	It blinks when unit firmware is running
RxD	Receiving on the RS485 side
TxD	Transmitting on the RS485 side
RxMP	Receiving on the MP-Bus side (low level on MP-Bus)
TxMP	Transmitting on the MP-Bus side

DIP SWITCH SETTING

Jumpers – RS485 line

J2, 1-2	Line state definition + A line termination
J2, 3-4	Line state definition + B line termination

RS485 transmission rates

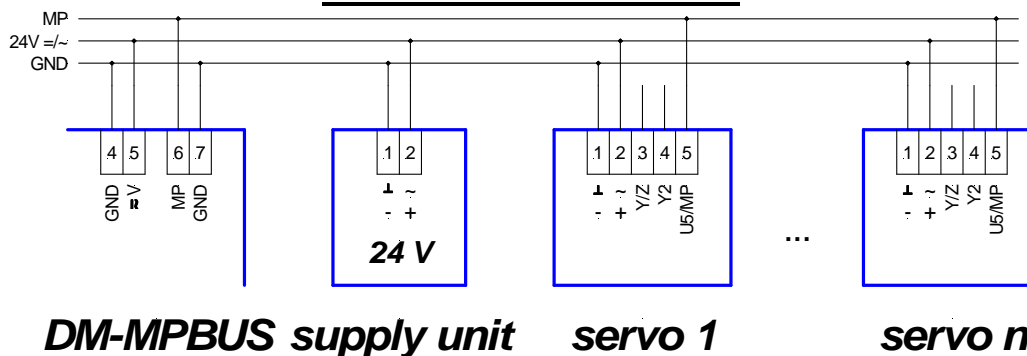
9600 Bd	BAUD0 = OFF, BAUD1 = OFF
19200 Bd	BAUD0 = ON, BAUD1 = OFF
38400 Bd	BAUD0 = OFF, BAUD1 = ON
57600 Bd	BAUD0 = ON, BAUD1 = ON

DIP SW8

SW8.1	Address, binary weight of 1
SW8.2	Address, binary weight of 2
SW8.3	Address, binary weight of 4
SW8.4	Address, binary weight of 8
SW8.5	Address, binary weight of 16
SW8.6	Address, binary weight of 32
SW8.7	BAUD0, transmission rate
SW8.8	BAUD1, transmission rate

An example of address construction: Addr = 38, switches 2, 3 and 6 are ON (2 + 4 + 32).

MP-BUS WIRING EXAMPLE



MP-Bus: Terminal 4 (power supply) is internally connected with terminal 7 (GND). Connect terminal 6 (MP) to terminal 5 (U5/MP) on devices. On one MP-Bus line is only one DP-MPBUS unit.

RS485 line: You have to use shielded twisted pair cable for RS485 line. Shielding has to be connected to terminal G485. Leave termination jumper J2 only at the segments end.

SUPPLEMENTARY DOCUMENTATIONS

Application note „Communication in MP-BUS network“ (ap0002_en_xx.pdf).
Application note „Communication in ARION network“ (ap0025_en_xx.pdf).
Application note „Conventions for using RS485 line“ (ap0016_en_xx.pdf)

Documentation and examples are available on www.amit.cz or on company CD.